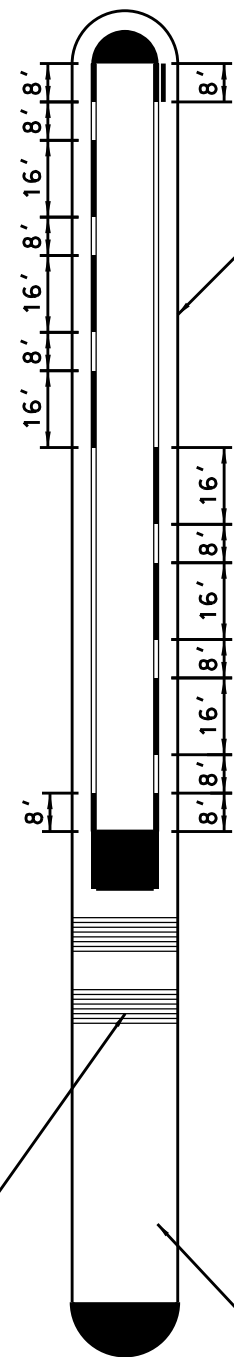


TYPICAL PAVEMENT MARKINGS
AT MEDIAN NOSE
WITH TURN BAYS

NOTE: NO 16' SKIPS IN TURN BAYS
(UNLESS FOR ONE WAY SIGNS)

NOTES: ALL PAINTED CURB SHALL BE POLYUREA
AND WILL BE PAID PER SQ. FT. AS POLYUREA
PAVEMENT MARKING. LETTERS AND SYMBOLS

ALL MARKINGS ARE TO BE YELLOW UNLESS
OTHERWISE NOTED.



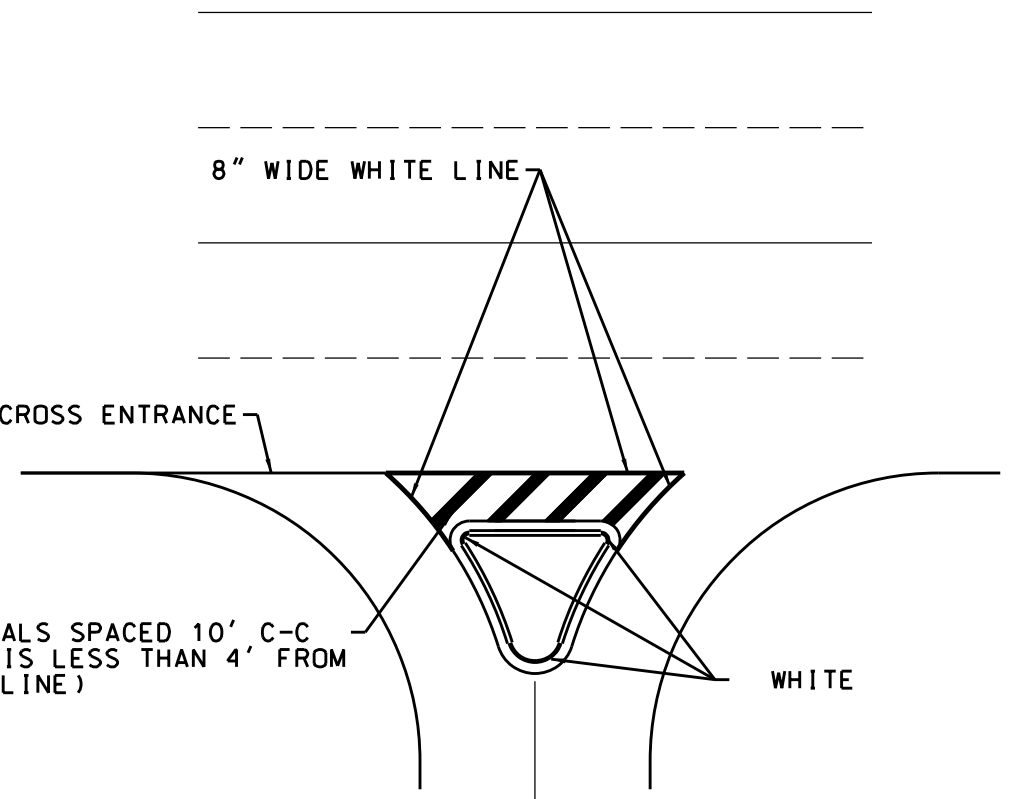
COMBINATION CURB
AND GUTTER

EXTEND 6" WHITE EDGE LINE ACROSS ENTRANCE

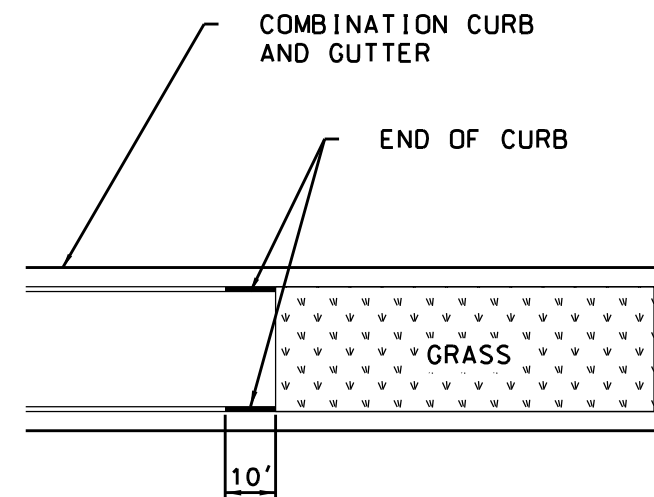
12" WIDE DIAGONALS SPACED 10' C-C
(OMIT IF THERE IS LESS THAN 4' FROM
MEDIAN TO EDGE LINE)

CORRUGATED MEDIAN

MOUNTABLE SECTION



TYPICAL PAVEMENT MARKING
AT RIGHT-IN RIGHT-OUT
MEDIAN



TYPICAL PAVEMENT MARKING
AT CURB ENDS



DATE	REVISIONS
12/13/2023	ADD PAVEMENT MARKINGS TO RIRO
8/22/2022	REMOVED REF. TO RAISED MEDIAN
2/17/2015	ADDED CURB AND GUTTER