

NOTES: ALL CONSTRUCTION TO BE DONE ACCORDING TO THE MOST RECENT VERSION OF THE ILLINOIS DEPARTMENT OF TRANSPORTATION "STANDARD SPECIFICATIONS FOR ROAD AND BRIDGE CONSTRUCTION"

ALL DISTURBED GROUND WITHIN THE COUNTY RIGHT OF WAY SHALL BE RE-SEEDED, FERTILIZED, AND EXCELSIOR BLANKET INSTALLED TO THE SATISFACTION OF THE WILL COUNTY DIVISION OF TRANSPORTATION AND ACCORDING TO IEPA REQUIREMENTS.

SAWCUT EXISTING PAVEMENT AT WHITE EDGE LINE; MINIMUM OF 6" FROM THE EDGE OF PAVEMENT

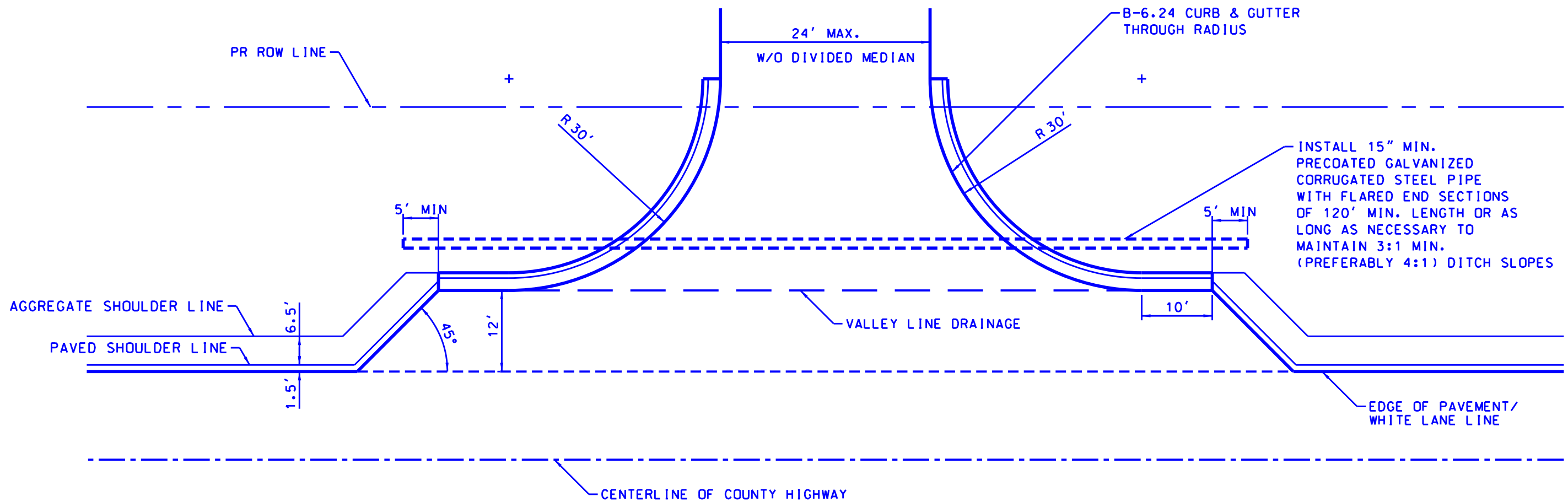
PAVEMENT TO SLOPE AWAY FROM THE COUNTY HIGHWAY AT A RATE OF 1/4" PER FOOT (2%)

MAJOR ACCESS PAVEMENT WITHIN COUNTY RIGHT OF WAY SHALL CONFORM TO THE WCDOT MINIMUM PROPOSED TYPICAL SECTION OR PER PLAN TYPICAL SECTION.

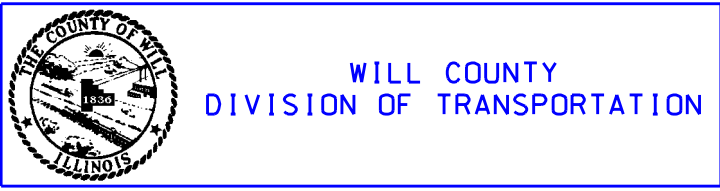
DITCHES TO BE GRADED FOR PROPER DRAINAGE. MAINTAIN 3:1 (PREFERABLY 4:1) DITCH SLOPES

IF NECESSARY FOR DRAINAGE, INLETS SHALL BE INSTALLED INTO THE CULVERT PIPE

CURB RADI AND LANE WIDTH MAY BE INCREASED PER DESIGN VEHICLE



WC-00421



WILL COUNTY
DIVISION OF TRANSPORTATION

MAJOR ACCESS DETAIL

DATE	REVISIONS
7/7/2015	WCDOT REVISION
5/15/2009	REVISED