

NOTES: ALL CONSTRUCTION TO BE DONE ACCORDING TO THE MOST RECENT VERSION OF THE ILLINOIS DEPARTMENT OF TRANSPORTATION "STANDARD SPECIFICATIONS FOR ROAD AND BRIDGE CONSTRUCTION"

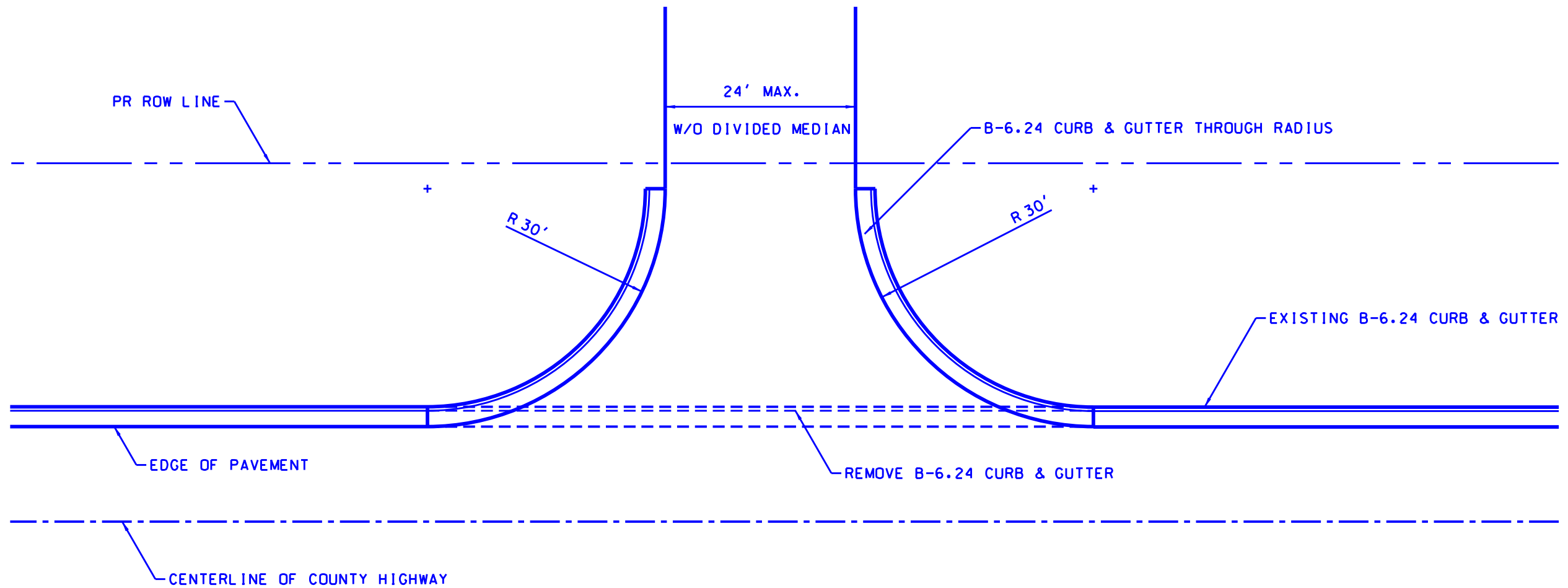
PAVEMENT TO SLOPE AWAY FROM THE COUNTY HIGHWAY AT A RATE OF 1/4" PER FOOT (2%) MINIMUM

ALL DISTURBED GROUND WITHIN THE COUNTY RIGHT OF WAY SHALL BE RE-SEEDED, FERTILIZED, AND EXCELSIOR BLANKET INSTALLED TO THE SATISFACTION OF THE WILL COUNTY DIVISION OF TRANSPORTATION AND ACCORDING TO IEPA REQUIREMENTS.

SAWCUT EXISTING COMBINATION CURB AND GUTTER AT REMOVAL LIMITS.

ALL PAVEMENT WITHIN COUNTY RIGHT OF WAY SHALL CONFORM TO THE WCDOT MINIMUM PROPOSED TYPICAL SECTION OR PER PLAN TYPICAL SECTION.

CURB RADIUS AND LANE WIDTH MAY BE INCREASED PER DESIGN VEHICLE



WC-00423



WILL COUNTY  
DIVISION OF TRANSPORTATION

MAJOR ACCESS DETAIL  
ON CURBED ROAD

DATE	REVISIONS
7/7/2015	WCDOT REVISION
1/3/2007	REVISED